

$$\frac{7.5906}{{}^6\text{He} + t}$$

$$\frac{6.0962}{{}^7\text{Li} + 2n}$$

$$\frac{4.0639}{{}^8\text{Li} + n}$$

$$J^\pi = \frac{3^-}{2}; T = \frac{3}{2}$$

${}^9\text{Li}$

09-04

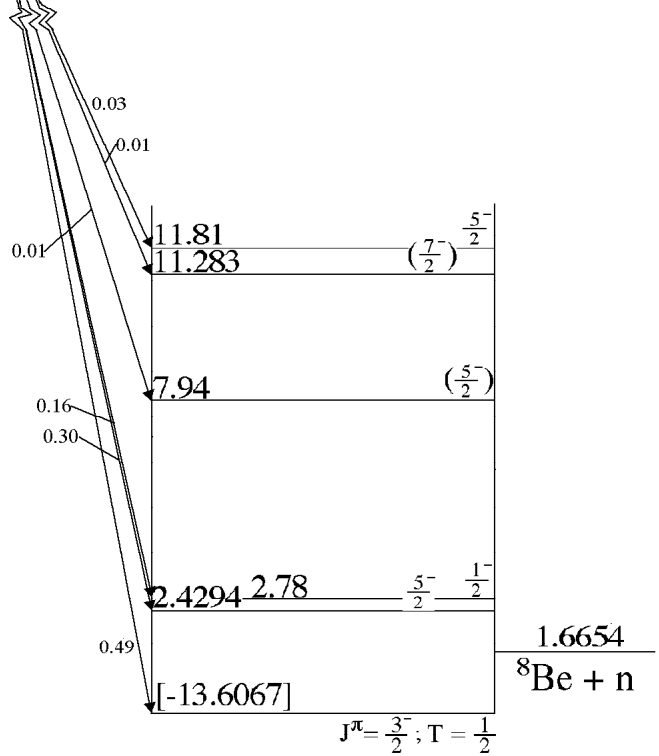
β^-

$$\frac{-2.3857}{{}^7\text{Li} + t - p}$$

$$\frac{-12.8244}{{}^9\text{Be} + n - p}$$

$$\frac{-14.1431}{{}^{10}\text{Be} + d - {}^3\text{He}}$$

$$\frac{-25.121}{{}^{11}\text{B} + {}^6\text{Li} - {}^8\text{B}}$$



${}^9\text{Be}$

$$\frac{1.6654}{{}^8\text{Be} + n}$$