

$$\frac{22.0513}{^3\text{He} + \text{d} + \text{n}}$$

$$\frac{21.2875}{^3\text{H} + \text{d} + \text{p}}$$

$$\frac{13.327}{^7\text{Li} + ^3\text{He} - \alpha}$$

$$\frac{5.66}{^5\text{Li} + \text{n}}$$

$$\frac{4.59}{^5\text{He} + \text{p}}$$

$$\frac{3.6981}{^4\text{He} + \text{n} + \text{p}}$$

$$\frac{3.507}{^6\text{He}}$$

$$\frac{-0.993}{^7\text{Li} + \text{d} - \text{t}}$$

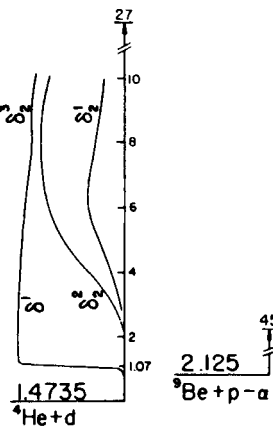
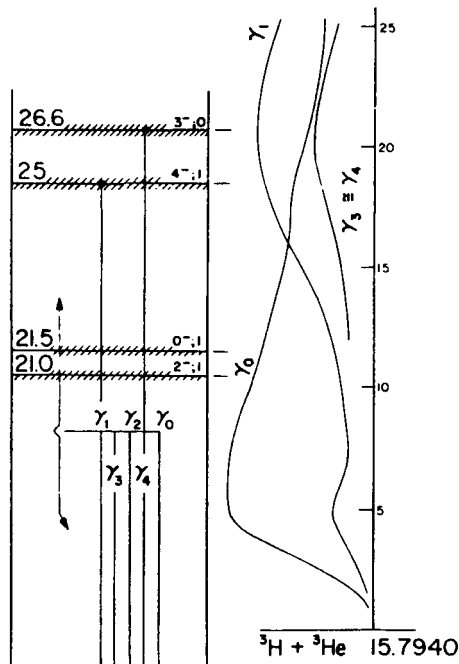
$$\frac{-4.552}{^{10}\text{B} + \alpha - ^8\text{Be}}$$

$$\frac{-7.251}{^7\text{Li} + \gamma - \text{n}}$$

$$\frac{-5.026}{^7\text{Li} + \text{p} - \text{d}}$$

$$\frac{-4.0201}{^4\text{He} + ^3\text{He} - \text{p}}$$

$$\frac{-4.7839}{^4\text{He} + \text{t} - \text{n}}$$



$$\frac{1.4735}{^4\text{He} + \text{d}}$$

$$\frac{2.125}{^9\text{Be} + \text{p} - \alpha}$$

$$\frac{15.7940}{^3\text{H} + ^3\text{He}}$$